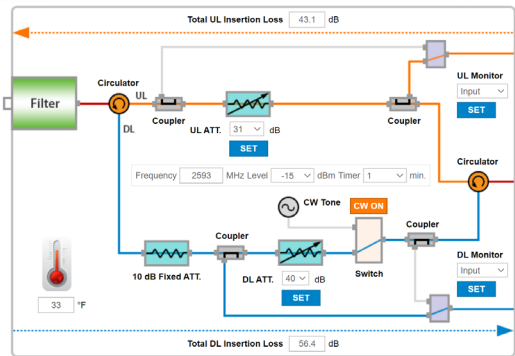


Active Point of Interface for Broadband (3450-3980MHz) 5G TDD

S3700N

The **S3700N** is an active interface unit for 3450-3980MHz TDD 5G NR. It supports all 5G Radios which covers Auction 110, CBRS and C-Band with 530MHz full bandwidth. Duplex IN & OUT connection for both Radio and DAS. Also, it supports dual power mode for DL, CW tone generation, DL monitoring port and etc. Its modular design is more compact and provides as much as a 40% savings of space, reducing costs and making room for additional sectors. The visual block diagram GUI giving you full understanding of signal flow and power level at a glance and makes the ASPOI so easy to use, some customers call it "manual free" operation, very little training is required.



S3700N User Interface



S3700N, C-Band Interface Card for TDD 5G NR

| Parameter | | Specifications | | |
|---------------------------------|------------------|------------------------|--------------|--------------------|
| Model | | S3700N | | |
| Link | | DL High Power | DL Low Power | UL |
| Freq. Range [MHz] | | 3450-3980 | | |
| Max. Input Power [dBm] | | 48 (60W) | 38 (6W) | -30 |
| Insertion Loss [dB] | | 18.0 ± 1.5 | 8.0 ± 1.5 | 6.5 ± 1.5 |
| Variable Attenuation Range [dB] | | 0 - 40 /1dB step | | 0 - 31 /0.5dB Step |
| Coupling Value [dB] | | 41.0 ± 1 | 31.0 ± 1 | - |
| CW Tone Level [dBm] | | -15 to 15 | | - |
| Operating Temp. [°F] | | +14 to +131 | | |
| RF Connector | Radio Connection | 4.3-10 Female (Duplex) | | |
| | DAS Connection | QMA Female (Duplex) | | |
| Size (W x H x D) | | 1.9" x 6.9" x 14.2" | | |
| Weight [lb] | | 6.0 | | |

* Specifications are subject to change without prior notification.